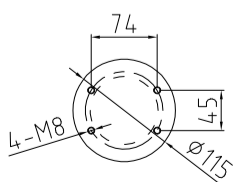
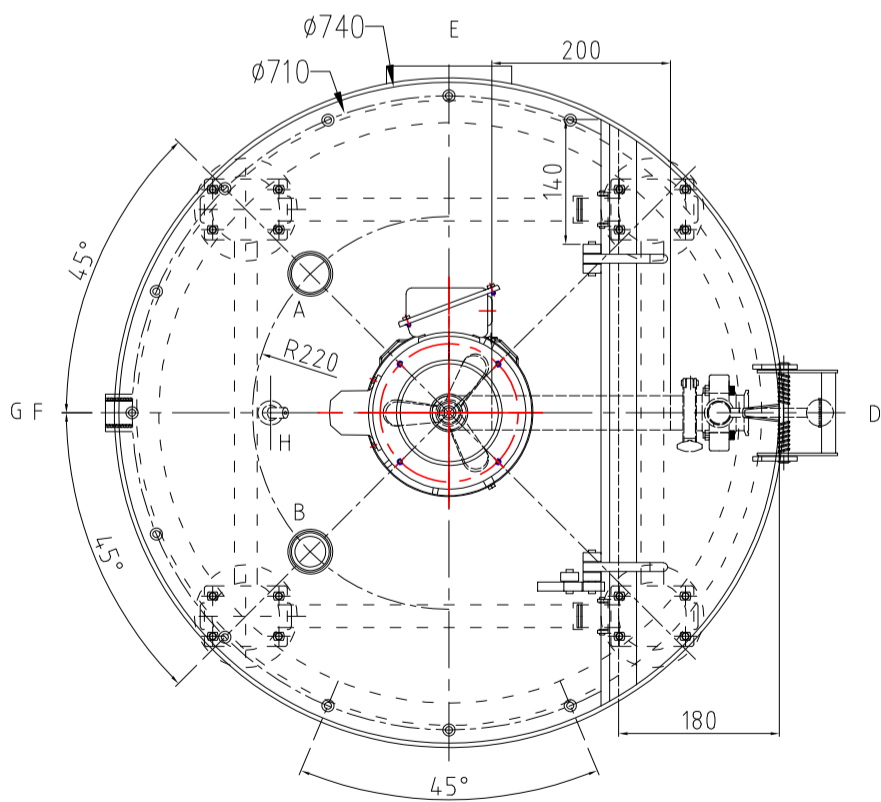
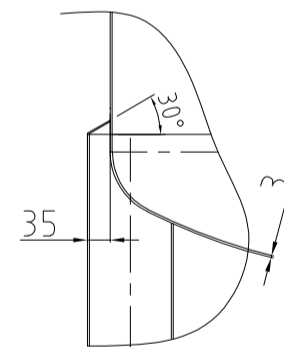
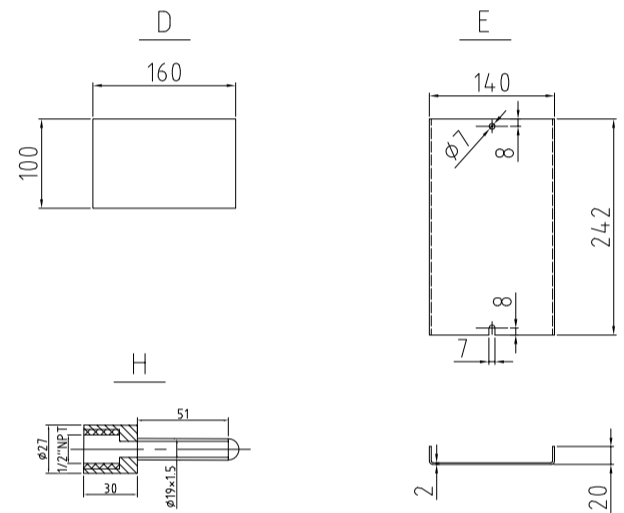
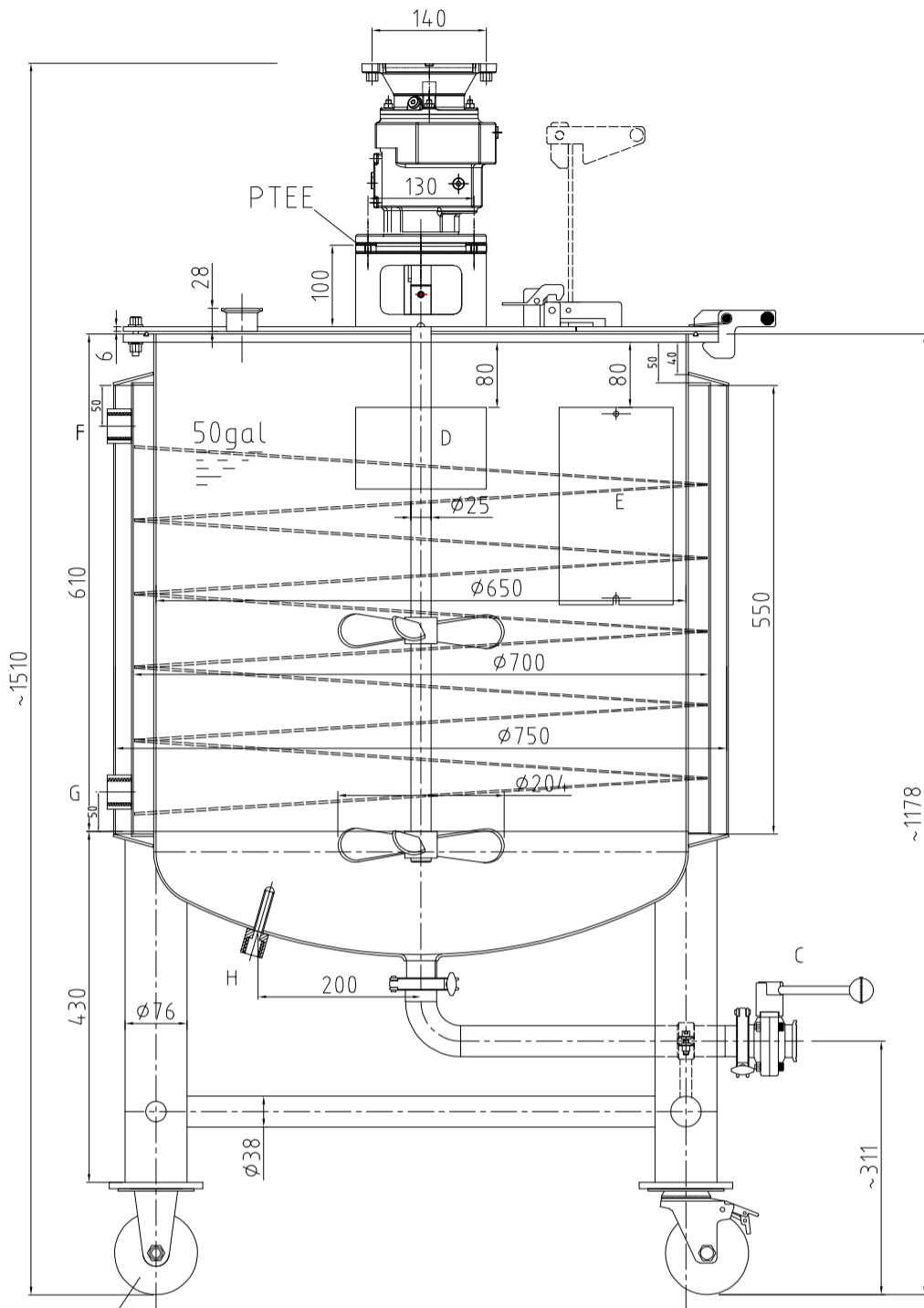


Design data

Vessel category	Normal pressure	
Description of parameter	Vessel	Jacket
Working pressure bar	ATPM	2
Design pressure bar	ATPM	2
Level tesing pressure bar	ATPM	3
Medium		HOT Water
Material	SUS 304	SS 304
Working temperature °C	-10 to +100°C	
Design temperature °C	-10 to +100°C	
Gross volume GAL	60	
Net volume GAL	50	
Heat exchanger area m ²	1.1	
Insulation material	PU	
Insulation thickness mm	25	
Dry Weight KGS		



CONNECTIONS

MARK	DN	DESCRIPTION	CONNECT SIZE	REMARKS
A	1.5"TC	Inlet	φ38.1x15	ISO
B	1.5"TC	Inlet	φ38.1x15	ISO
C	1.5"TC	Outlet	φ38.1x15	ISO
D	4"×6.3"	Nameplate	100×160	
E	2.5"×9.6"	VFD Support	140×242	
F	1"npt(F)	Hot water outlet	1"npt(F)	NPT
G	1"npt(F)	Hot water inlet	1"npt(F)	NPT
H	1/2"npt(F)	Thermowell	1/2"npt(F)	NPT

02/23/2021

50GAL MIXING TANK
(Jacketed)