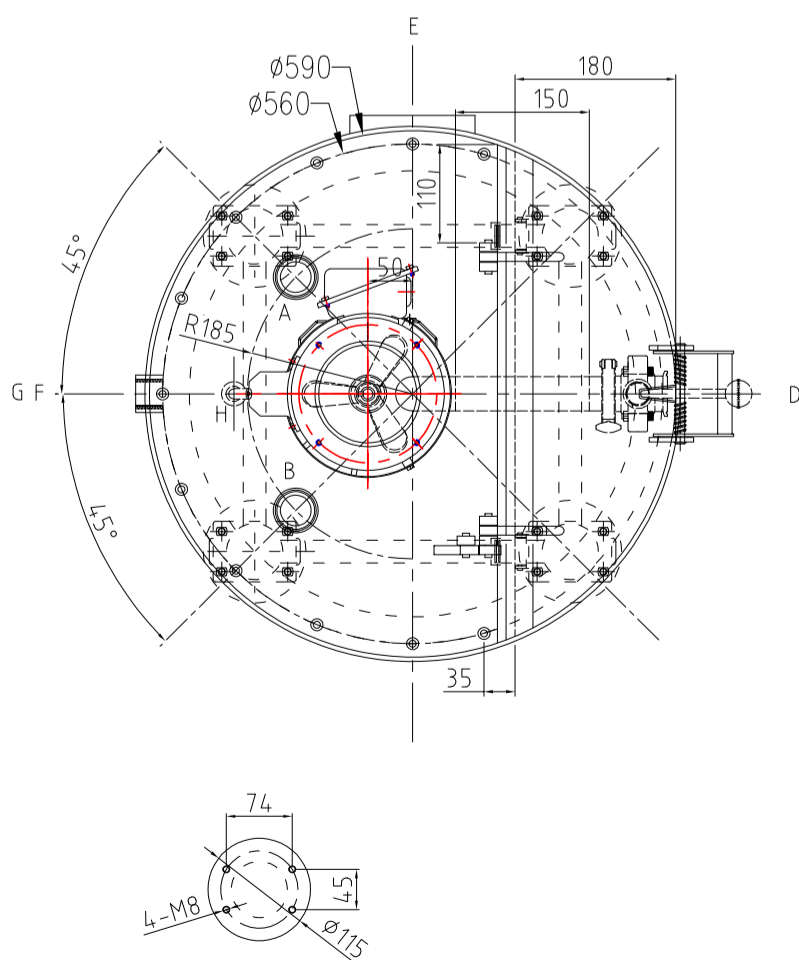
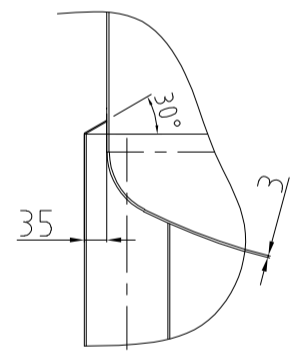
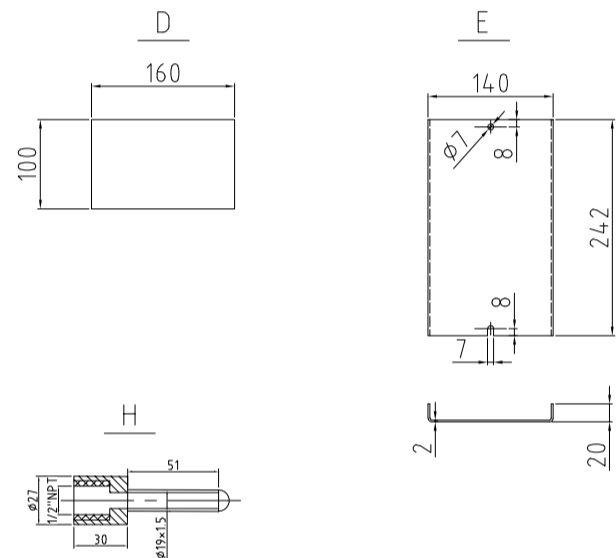
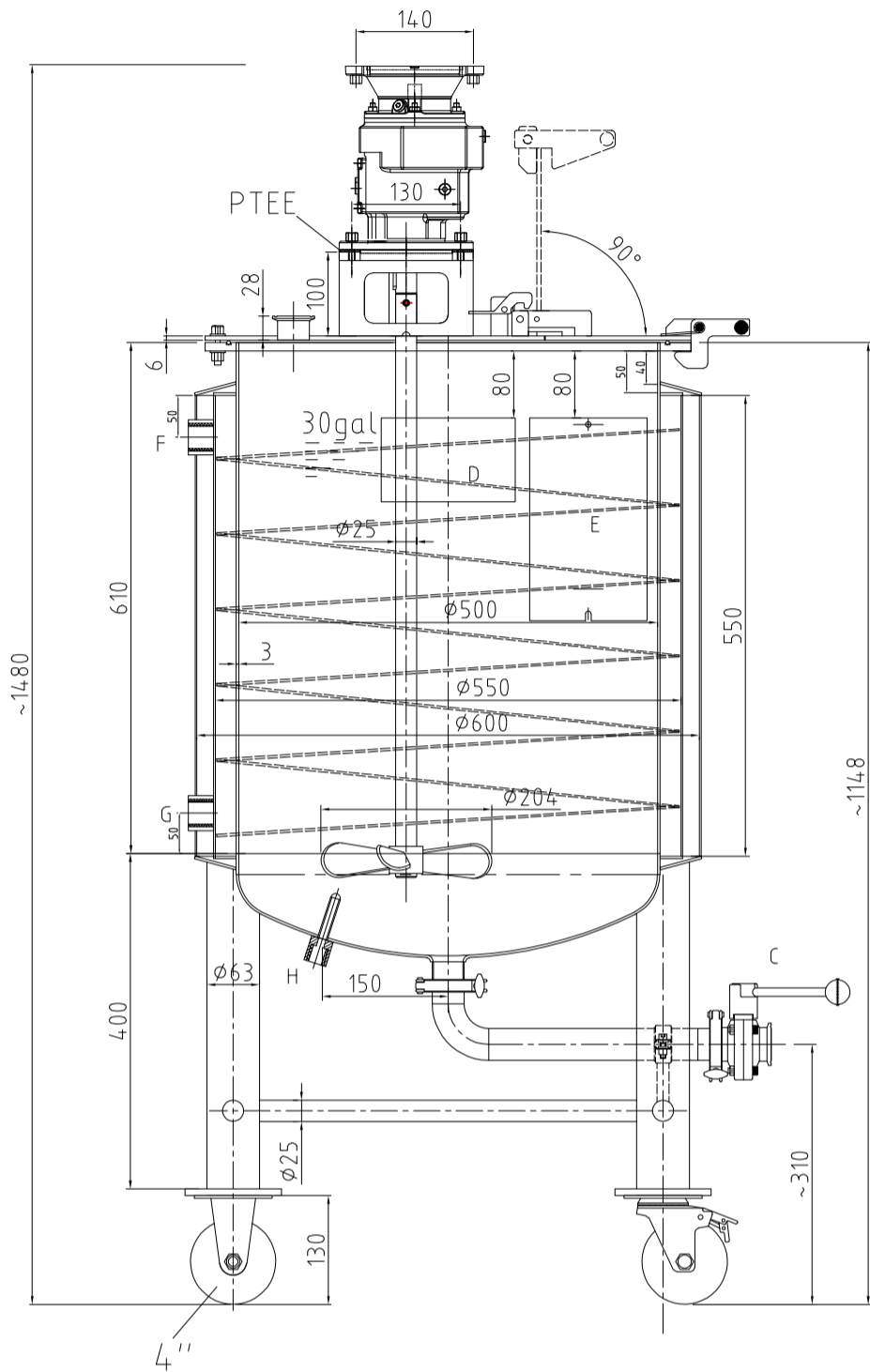


## Design data

Vessel category	Normal pressure	
Description of parameter	Vessel	Jacket
Working pressure bar	ATPM	2
Design pressure bar	ATPM	2
Level tesing pressure bar	ATPM	3
Medium		HOT Water
Material	SUS 304	SS 304
Working temperature °C	-10 to +100°C	
Design temperature °C	-10 to +100°C	
Gross volume GAL	36	
Net volume GAL	30	
Heat exchanger area m <sup>2</sup>	0.86	
Insulation material	PU	
Insulation thickness mm	25	
Dry Weight KGS		



### CONNECTIONS

MARK	DN	DESCRIPTION	CONNECT SIZE	REMARKS
A	15"TC	Inlet	φ38.1x1.5	ISO
B	15"TC	Inlet	φ38.1x1.5	ISO
C	15"TC	Outlet	φ38.1x1.5	ISO
D	4"×6.3"	Nameplate	100×160	
E	2.5"×9.6"	VFD Support	140×242	
F	1"npt(F)	Hot water outlet	1"npt(F)	NPT
G	1"npt(F)	Hot water inlet	1"npt(F)	NPT
H	1/2"npt(F)	Thermowell	1/2"npt(F)	NPT

02/23/2021

30GAL MIXING TANK  
(Jacketed)